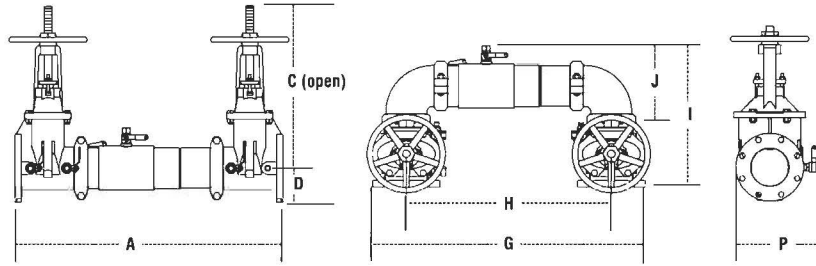
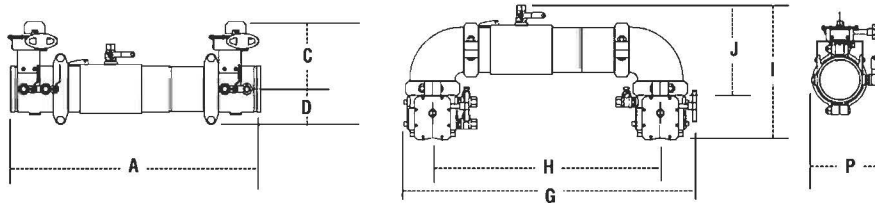


# DIMENSIONS & WEIGHT continued



757 / 757N

SIZE (DN)		DIMENSIONS										WEIGHT															
in.	mm	A	C (OSY)	C (NRS)	D	G	H	I	J	P	757NRS	757OSY	757N NRS	757N OSY													
in.	mm	in.	mm	in.	mm	in.	mm	in.	mm	in.	lbs.	kgs.	lbs.	kgs.													
2½	65	31	787	16⅞	416	9⅞	238	3½	89	29⅞	738	22	559	15½	393	8⅞	223	9⅞	234	115	52	125	57	123	56	133	60
3	80	31⅞	805	18⅞	479	10¼	260	3⅞	94	30¼	768	22¾	578	17⅞	435	9⅞	233	10½	267	131	59	145	66	144	65	158	72
4	100	33⅞	856	22¾	578	12⅞	310	4	102	33	838	24	610	18½	470	9⅞	252	11⅞	284	161	73	161	73	184	83	184	83
6	150	44	1118	30⅞	765	16	406	5½	140	44¾	1137	33¾	857	23⅞	589	13⅞	332	15	381	273	124	295	134	314	142	336	152
8	200	50	1270	37¾	959	19⅞	506	6⅞	170	54¼	1375	40⅞	1032	27⅞	697	15⅞	399	17⅞	437	438	199	480	218	513	233	555	252
10	250	57½	1460	45¾	1162	23⅞	605	8⅞	208	66	1676	50	1270	32½	826	17⅞	440	20	508	721	327	781	354	891	404	951	431



757BFG / 757NBFG

SIZE (DN)		DIMENSIONS										WEIGHT									
in.	mm	A	C	D	G	H	I	J	P	757BFG	757N BFG										
in.	mm	in.	mm	in.	mm	in.	mm	in.	mm	in.	mm	lbs.	kgs.	lbs.	kgs.						
2½	65	28	711	8	203	3½	89	29⅞	759	22	559	14⅞	379	8⅞	223	9	229	56	25	64	29
3	80	28½	724	8⅞	211	3⅞	94	30⅞	779	22¾	578	15⅞	392	9⅞	233	9½	241	54	24	67	30
4	100	29⅞	741	8⅞	227	3⅞	94	31⅞	811	24	610	16¼	412	9⅞	252	10	254	61	28	84	38
6	150	36½	927	10	254	5	127	43⅞	1097	33¾	857	19⅞	500	13⅞	332	10½	267	117	53	157	71
8	200	43	1092	12¼	311	6½	165	51⅞	1297	40⅞	1032	23⅞	592	15⅞	399	14⅞	361	261	118	337	153

## MATERIALS

Housing & Sleeve: 304 (Schedule 40) Stainless Steel

Elastomers: EPDM, Silicone and Buna-N

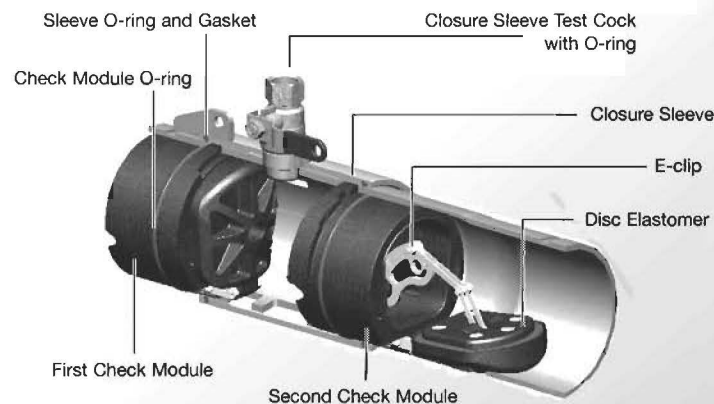
Tri-link Checks: Noryl®, Stainless Steel

Check Discs: Reversible Silicone or EPDM

Test Cocks: Bronze Body Nickel Plated

Pins & Fasteners: 300 Series Stainless Steel

Springs: Stainless Steel



## REPAIR KITS

ORDERING NO.	SIZE	MODEL
<b>1st Check Kits</b>		
7018128	2½" - 4"	RK 757/757DCDA CK1
7018131	6"	RK 757/757DCDA CK1
7018134	8"	RK 757/757DCDA CK1
0899200	10"	RK 757/757DCDA CK1
<b>Kit consists of:</b> First check module, Check module O-ring and Disc elastomer		
<b>2nd Check Kits</b>		
7018130	2½" - 4"	RK 757/757DCDA CK2
7018133	6"	RK 757/757DCDA CK2
0899206	8"	RK 757/757DCDA CK2
0899201	10"	RK 757/757DCDA CK2
<b>Kit consists of:</b> Second check module, Check module O-ring and Disc elastomer		
<b>1st or 2nd Check Rubber Parts Kits</b>		
0899202	2½" - 4"	RK 757/757DCDA RC4
0899203	6"	RK 757/757DCDA RC4
0899204	8"	RK 757/757DCDA RC4
0899205	10"	RK 757/757DCDA RC4
<b>Kit consists of:</b> Check module O-ring, Disc elastomer and E-clip		
<b>Check Sleeve Cover Kits</b>		
0899211	2½" - 4"	RK 757/757DCDA C
0899212	6"	RK 757/757DCDA C
0899213	8"	RK 757/757DCDA C
0899214	10"	RK 757/757DCDA C
<b>Kit consists of:</b> Closure sleeve, Sleeve O-ring and Gasket		

American Backflow Specialties

www.americanbackflow.com

(800) 66-BKFLO (619) 527-2525 fax: (619) 527-2527