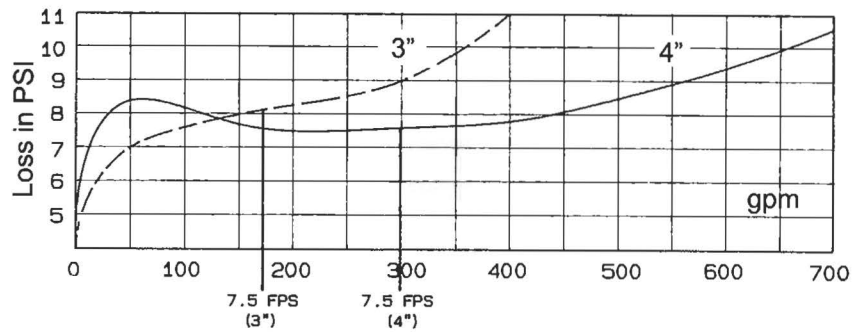


FLOW CURVES

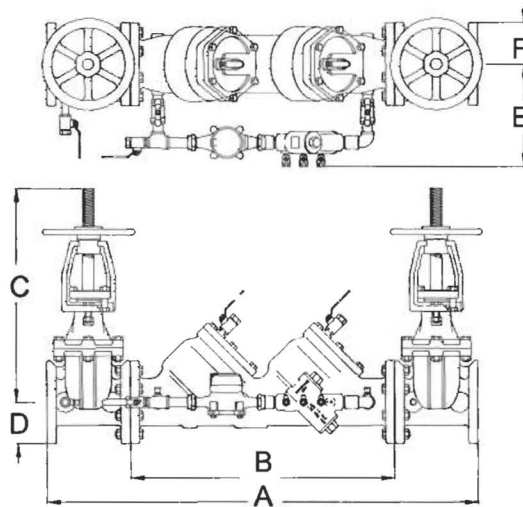
40-600

3" & 4"

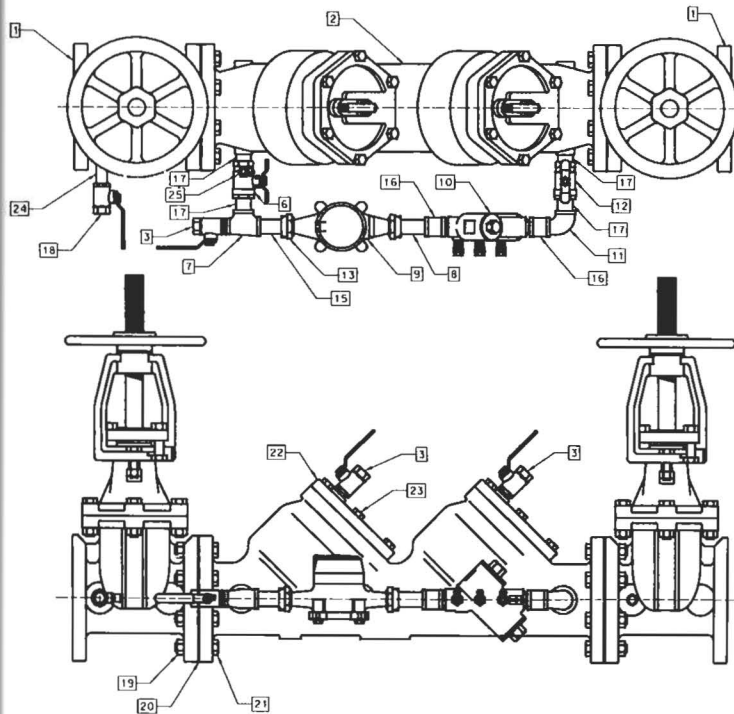


DIMENSIONS & WEIGHTS

Size	3"	4"
A	38-1/16	46-3/4
B	22-1/16	28-3/4
C (OS & Y) OPEN	22-1/16	23-3/16
D	3-3/4	4-1/2
E	9-1/4	10-1/2
F	3-3/4	4-1/2
Test Cocks (line)	1/2" NPT	1/2" NPT
Test Cocks (by-pass)	1/4" NPT	1/4" NPT
Net Wt. (Less Gate Valves)	97	161
Net Wt. (With OS & Y Valves)	234	367
Shipping Wt. (Less Gate Valves)	161	225
Shipping Wt. (With OS & Y Valves)	298	431



REPAIR PARTS (3" & 4")



ITEM NO.	DESCRIPTION	QUANTITY	PART NO.	
			3"	4"
1	Gate Valve (OS&Y)	2	W679000	W682400
2	DCDA Body	1	Q471619	Q460919
3	Test Cock	3	7080301	7080301
N/S	1st Chk Poppet Ass'y	1	W710705	W710005
N/S	2nd Chk Poppet Ass'y	1	W671805	W673105
6	By-Pass Shut-Off Valve	1	7B10401	7B10401
7	Tee, Reducing	1	K350600	K350600
8	Coupling, Water Meter	1	K350500	K350500
9	Water Meter in Cubic Feet	1	W706200	W706200
9	Water Meter in Gallons	1	W709400	W709400
10	3/4" DCV	1	W378905	W738905
11	Elbow, Street	*	K350200	K350200
12	By-Pass Shut-Off Valve	1	7B10431	7B10431
13	Swivel Nut	1	N/A	C186705
N/S	Washer, Meter	1	N/A	D261000
15	Coupling	1	N/A	K379106
16	3/4" Coupling	2	N/A	K350400
17	Nipple, Close	**	K337000	K337000
18	Test Cock	1	7010301	7010301
19	Flange Nut	***	C143800	C143800
20	Flange Gasket	2	D258400	D258200
21	Flange Bolt	***	B180400	B182800
22	Cap	2	Q453019	Q453319
23	Cap Bolt	12	B179700	B180100
24	Nipple	1	K340600	K340600
25	Test Cock	1	7825701	7825701
N/S	Nipple, 3/4" x 3" Lg.	2	K341200	N/A
N/S	Elbow, 3/4" - 90°	1	K350100	N/A
N/S	Cap O-Ring	2	D256600	D257400
N/S	Seat O-Ring	2	D256700	D257300
N/S	Nameplate	1	I484600	I484600
N/S	Nameplate Tack	2	I529400	I529400
N/S	Plug, 1/2"	1	K300800	K300800
N/S	Instruction Booklet	1	I476700	I476700
N/S	Check Valve Seat	2	L463705	L464005
N/S	Meter to DCV Adapter	1	L522806	N/A

NOTE: For repair kits and parts for the main body, see Series 40-100 parts page.

* 3" QTY = 3 / 4" QTY = 1
 ** 3" QTY = 2 / 4" QTY = 4
 *** 3" QTY = 8 / 4" QTY = 16

American Backflow Specialties

www.americanbackflow.com

(800) 66-BKFLO

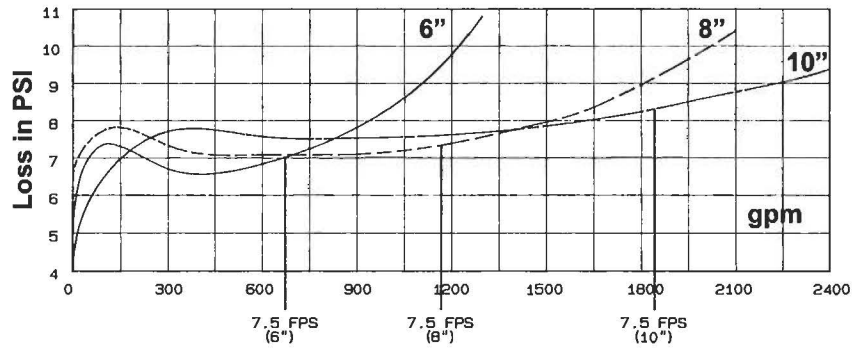
(619) 527-2525

Fax: (619) 527-2527

FLOW CURVES

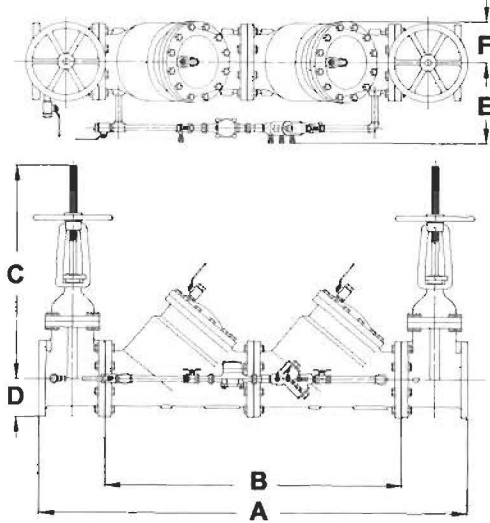
40-600

6" - 10"

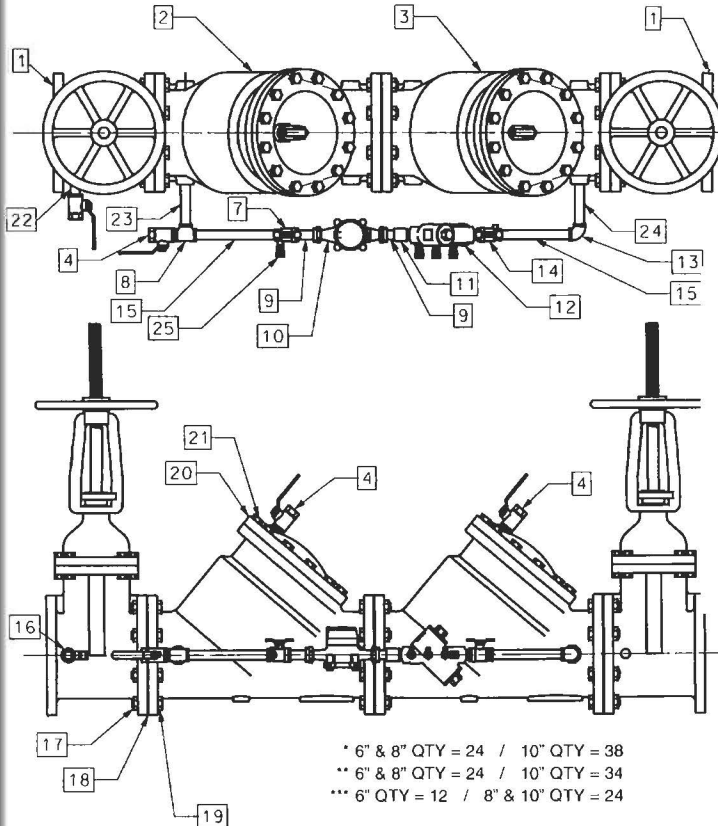


DIMENSIONS & WEIGHTS

Size	6"	8"	10"
A	63	75	88-1/4"
B	42	52	62-1/16"
C (OS & Y) OPEN	30-1/8	37-3/4	48
D	5-1/2	6-3/4	8
E	13-1/4	14-3/4	17-1/2
F	5-1/2	6-3/4	8
Test cocks (line)	3/4" NPT	3/4" NPT	3/4" NPT
Test cocks (by-pass)	1/4" NPT	1/4" NPT	1/4" NPT
Net Wt. (less gate valves)	409	647	1364
Net Wt. (with OS & Y valves)	733	1142	2207
Shipping Wt. (less gate valves)	507	817	1534
Shipping Wt. (with OS & Y valves)	831	1312	2377



REPAIR PARTS (6" to 10")



ITEM	DESCRIPTION	QTY	PART NO.		
			6"	8"	10"
1	Gate Valve (OS&Y)	2	W682500	W682600	W685900
2	Body (1st Check)	1	Q453619	Q454419	Q457319
3	Body (2nd Check)	1	Q459119	Q459319	Q459519
4	Test Cock	3	7080401	7080401	7080401
N/S	1st Chk Poppet Ass'y	1	W706605	W708505	W711305
N/S	2nd Chk Poppet Ass'y	1	W674205	W674605	W685705
7	By-Pass Shut-Off Valve	1	7B10401	7B10401	7B10401
8	Tee, 3/4" NPT	1	K351100	K351100	K351100
9	Coupling, Water Meter	2	K350500	K350500	K350500
10	Water Meter in Cubic Feet	1	W706200	W706200	W706200
10	Water Meter in Gallons	1	W709400	W709400	W709400
11	Coupling, 3/4"	1	K350400	K350400	K350400
12	3/4" DCV	1	W738905	W738905	W738905
13	Elbow, 3/4" NPT	1	K350100	K350100	K350100
14	By-Pass Shut-Off Valve	1	7B10431	7B10431	7B10431
15	Nipple, 3/4" NPT	2	K350900	K352700	K356000
16	Test Cock	1	7010401	7010401	7010401
17	Flange Nut	*	C175900	C175900	C179300
18	Flange Gasket	3	D257900	D259000	D265300
19	Flange Bolt	**	B182900	B185700	B185800
20	Cap	2	Q453719	Q454519	Q457419
21	Cap Bolt	***	B180000	B169000	B188100
22	Nipple, 3/4" NPT	1	K341200	K341200	K341200
23	Nipple, 3/4" x 5-1/2" Lg.	1	K350900	K350900	K350900
24	Nipple, 3/4" NPT	1	K350900	K350900	K355900
25	Test Cock	1	7825701	7825701	7825701
N/S	Elbow, 3/4" - 90°	1	K350100	K350100	K350100
N/S	Cap O-Ring	2	D257700	D258800	D265100
N/S	Seat O-Ring	2	D257600	D258900	D258800
N/S	Nameplate	1	I484600	I484600	I484600
N/S	Nameplate Tack	2	I529400	I529400	I529400
N/S	Plug, 1/2"	1	K300800	K300800	K300800
N/S	Instruction Booklet	1	I476700	I476700	I476700
N/S	Check Valve Seat	2	L464405	L465305	L475905
N/S	Stud	2	N/A	N/A	B203600
N/S	Seat Bolt	12	N/A	N/A	B184900

* 6" & 8" QTY = 24 / 10" QTY = 38
 ** 6" & 8" QTY = 24 / 10" QTY = 34
 *** 6" QTY = 12 / 8" & 10" QTY = 24

NOTE: For repair parts and kits for the main valve body, see model 40-100 parts pages.

American Backflow Specialties