

MATERIALS

Sizes 1/4" to 1" are available in either plain brass or polished chrome finish. Durable silicone disc, high heat resistance. Sizes 1 1/4" to 3" standardly furnished with plain brass finish.

TEMPERATURE - PRESSURE

Maximum temperature 180°F at 125 psi (8.6 bars) working pressure.

STANDARDS

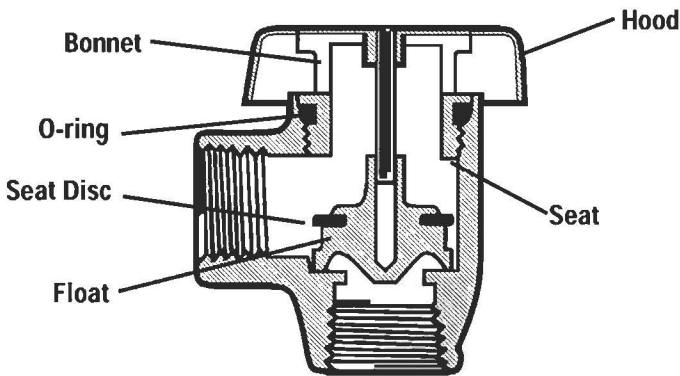
ASSE No. 1001, IAPMO
CSA B.64.1.1

APPROVALS



Certified thru 1" (25mm) CSA

REPAIR KITS

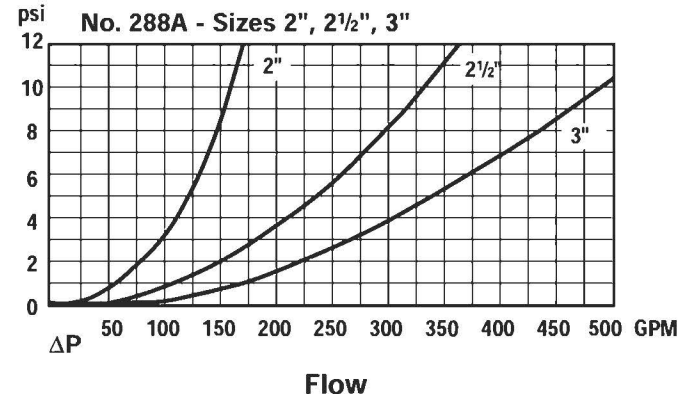
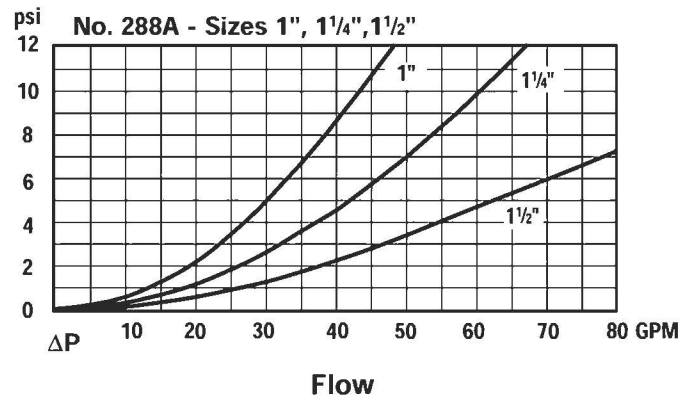
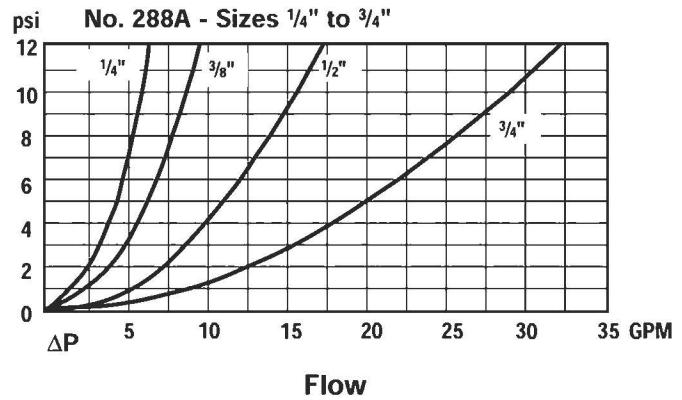


Description	Size in.	Ordering Code No.
RK 188-288-388 T	1/4 - 3/8	0887170
RK 188-288-388 T	1/2	0887171
RK 188-288-388 T	3/4 - 1	0887172
RK 188-288-388 T	1 1/4	0887173
RK 188-288-388 T	1 1/2	0887174
RK 188-288-388 T	2	0887175
RK 288A T	2 1/2 - 3	0887176

Kit includes: Disc assembly (includes Disc and Disc Float) and Bonnet o-ring.

FLOW CURVES

Model 288A



Since atmospheric type vacuum breakers are subject to normal maintenance and replacement, they should be located where emergency water spillage will create no problem and where they can be accessible for inspection or servicing.

IMPORTANT NOTE:

This device shall not be subjected to continuous pressure for more than twelve (12) hours per ASSE Std. 1001. For continuous pressure application, specify Watts Series 800 pressure type vacuum breakers. Vacuum breakers are not designed, tested or approved to protect against backpressure backflow. For protection against backpressure backflow, install Watts Series 909 or Series 009 reduced pressure principle backflow preventers.